

# **AQUA-1575PS Data Sheet**

## **Passive GPS Quadrifilar Spiral Antenna**

JUNE. 2007

Ver. 1.0



**Confidential**

T. 070-7017-8513 M. 017-588-9807 mail. sam911@paran.com

**Page 1**

## Revision History

Revision	Date	Description of Changes
V062007	JUN. 20, 2007	First Release

\* **AQUA** : Actenna's **QU**adrifilar **A**ntenna

## Table of Contents

1. General Description.....	4
1.1 Features .....	4
1.2 Typical Applications .....	4
2. System Block Diagram .....	5
3. Specifications .....	6
4. Mechanical Dimensions .....	7
5. Application .....	7

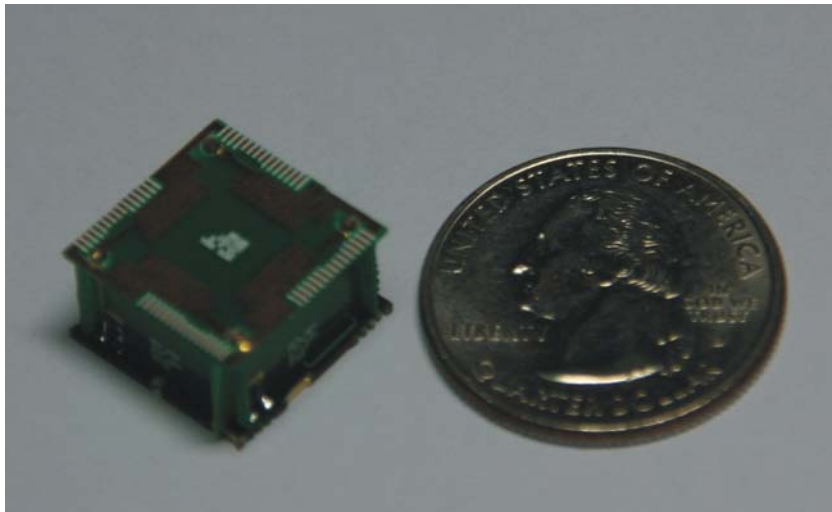


## 1. General Description

AQUA-1575PS is the smallest passive quadrifilar spiral antenna (QSA) for GPS applications.

### 1.1 Features

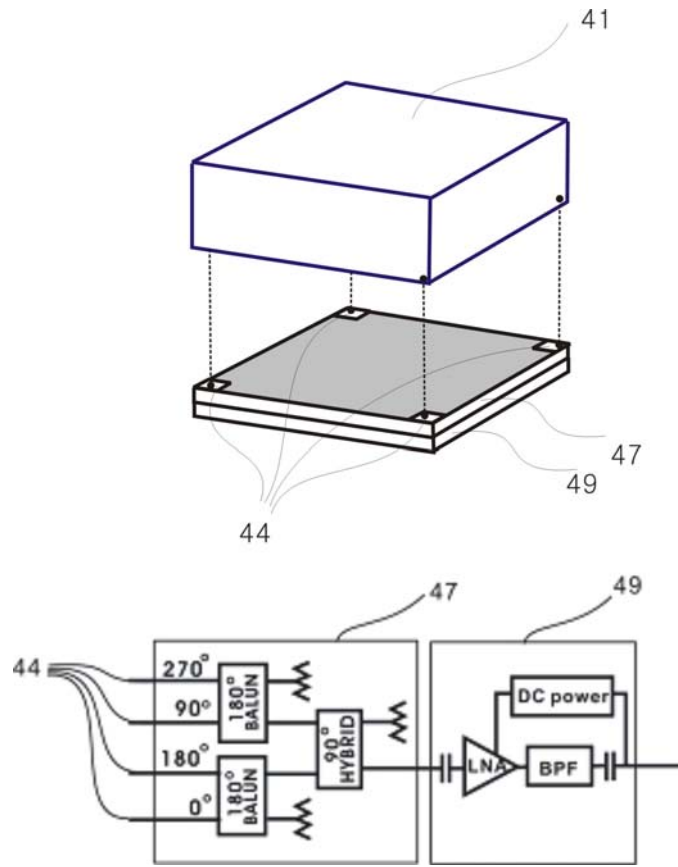
- Square-QSA
- Compact size
- Ideal for tight integration
- Low interaction with platform
- Wide beamwidth
- Negligible detuning close to users
- Internal and external mounting
- SMT compatible
- Easy Application and Save development time
- OEM/ODM



### 1.2 Typical Applications

- Consumer electronic devices requiring GPS feature
- Handheld devices such as PDA
- Cellular phones, Smart phones

## 2. System Block Diagram



\*Patent Pending

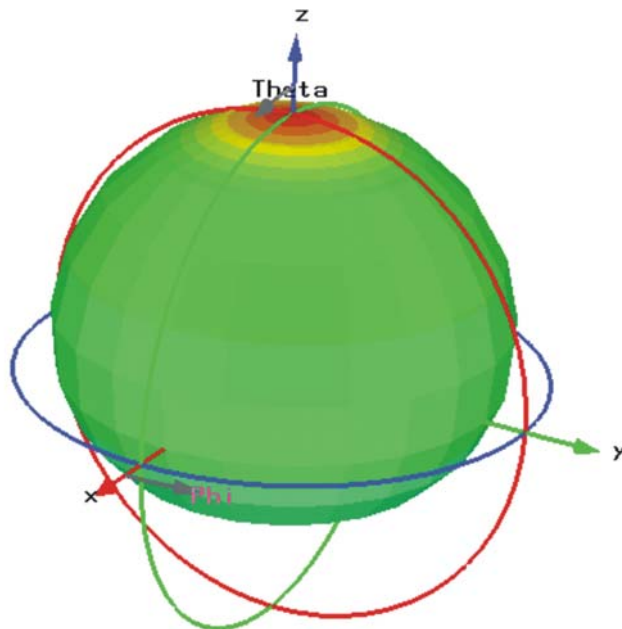
- 41 : Square-QSA
- 44 : Feeding Points
- 47 : Feeding Network
- 49 : LNA Module (\*option)

### 3. Specifications

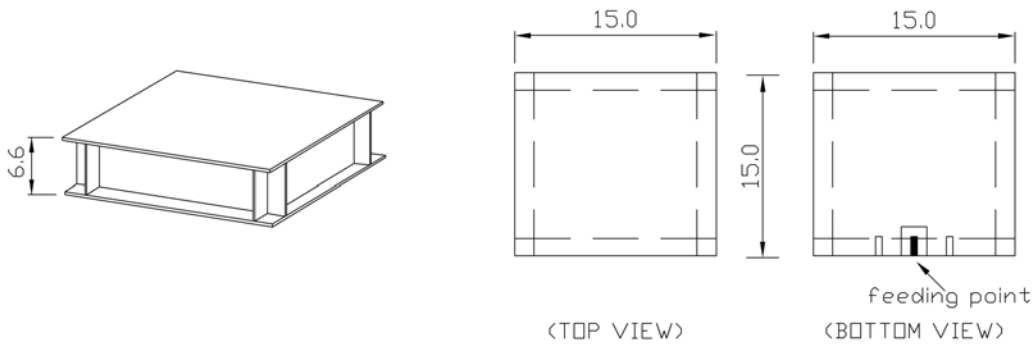
No		Min	Typ	Max	Unit
1	Part Number	AQUA-1575PS			Each
2	Type	Square Quadrifilar Spiral*			
3	Frequency	1573.42	1575.42	1577.42	MHz
4	Polarization	Right-Hand Circular Polarization			
5	Gain	-2	0		dBic
6	Beamwidth		>120		Degrees
7	Bandwidth(3dB)		20		MHz
8	Axial Ratio		<2.0		
9	Element Dimensions	15x15x8.5			mm
10	Weight (exclusive radome)	5			grams
11	Mounting	SMT			

\* Patent Pending

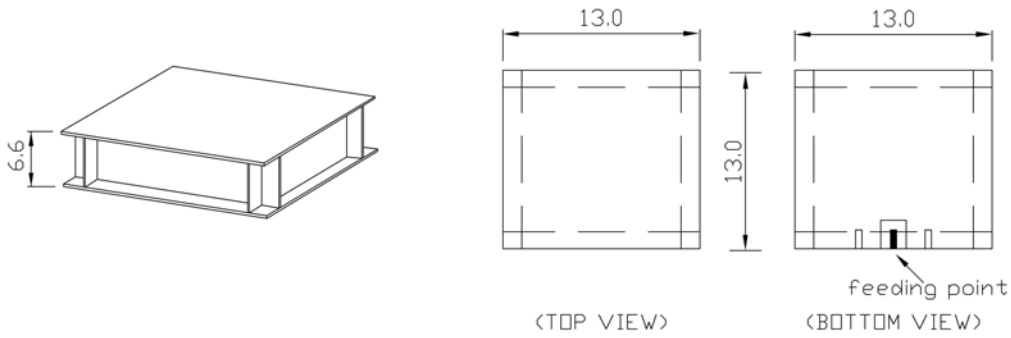
- Radiation Pattern (dBic)



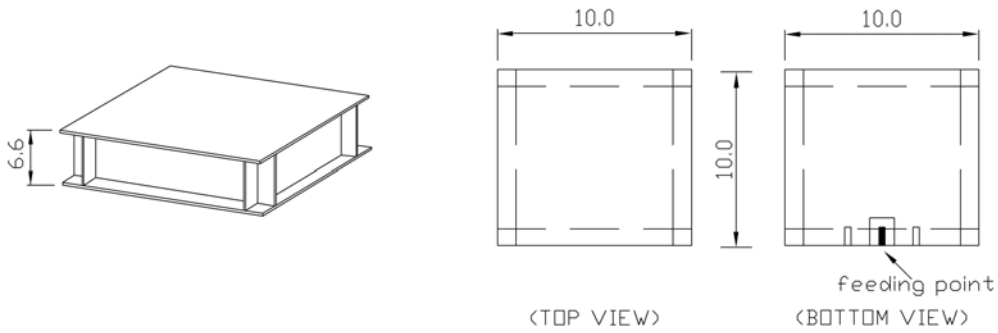
### 4. Mechanical Dimensions (mm)



(AQUA-1575PS-A)



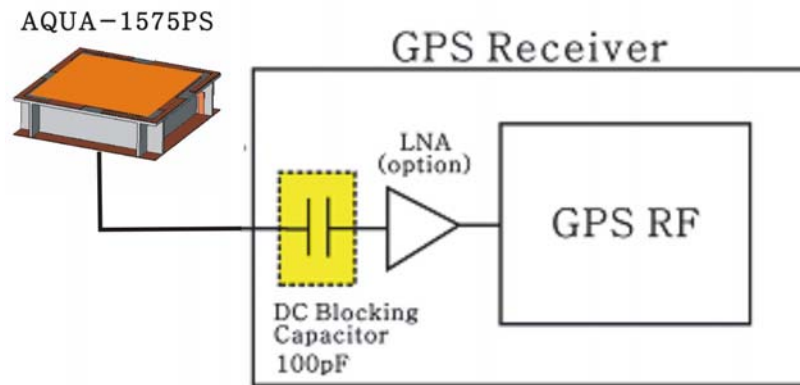
(AQUA-1575PS-B)



(AQUA-1575PS-C)

## 5. Application

- \* Insert the DC blocking capacitor into the GPS receiver.



## 6. ASS'Y

\* ANTENNA POSITION

