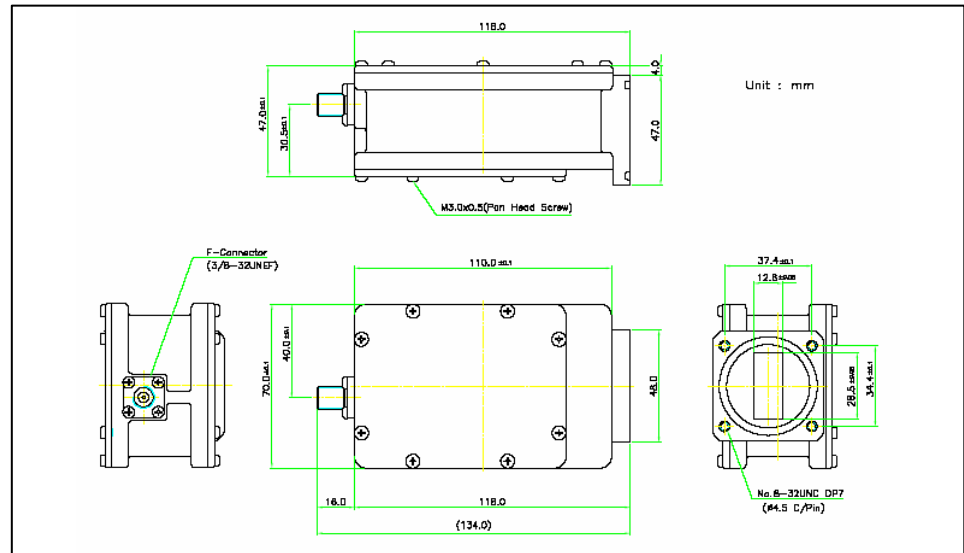


X-Band PLL LNB Applications

SM-100

Outline Drawing



Model No & Frequency

Model No	Input Freq.(GHz)	Output Freq.(MHz)	L.O Freq.(GHz)
SM-100	7.25 - 7.75	950 - 1450	6.3

Specifications

Parameter	Specification
Noise figure (@ +23°C)	0.8 dB max.
Input VSWR	2.2 : 1 max.
Image rejection	45 dBc min.
Conversion gain	55 dB typ. (50dB min. 62dB max.)
Output VSWR	2.2 : 1 max.
Gain flatness	4 dBp-p max. (over band & temp.)
Gain ripple (@ per 27MHz)	1 dBp-p max.
1dB gain compression point	+5 dBm min.
Output impedance	75 ohms, 50 ohms
Leakage (@input port)	-45 dBm max.
L.O stability (over temp.)	+/-12.5 KHz max.
Phase noise	-75 dBc/Hz (@1KHz) -85 dBc/Hz (@10KHz) -95 dBc/Hz (@100KHz)
Power supply	+12 to +24V DC
Required current	300 mA max.
Operating temperature	-40°C to +60°C
Storage temperature	-40°C to +80°C
Relative humidity	0% to 95% RH
Input waveguide flange	WR- 112
IF output connector	F-Type female, N-Type female
Weight	450 g



A-Telecom Co., Ltd.
 22-4, Palyong-Dong, Changwon, Kyungnam, Korea 641-847
 Tel : 82-55-299-8550, Fax : 82-55-299-8552
 http://www.a-tele.com, E-Mail : a-tele@a-tele.com