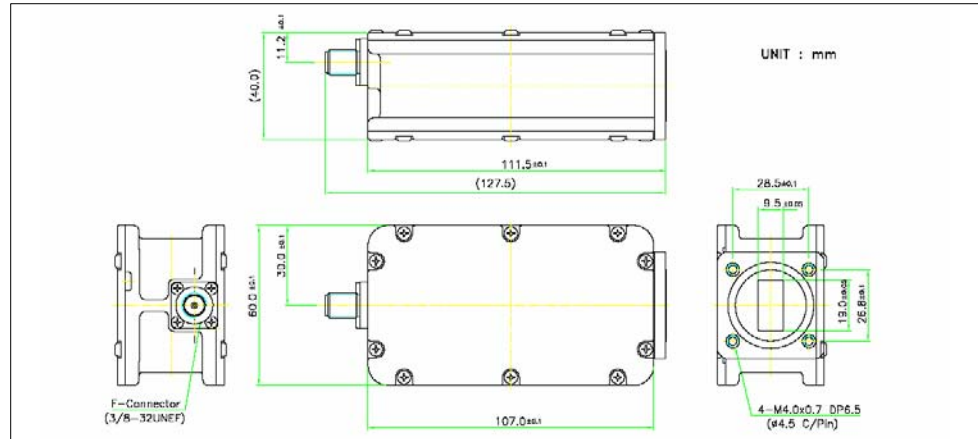


Ku-Band PLL LNB Applications

SM-500 Series

Outline Drawing



Model No & Frequency

Model No	Input Freq.(GHz)	Output Freq.(MHz)	L.O Freq.(GHz)
SM-520	10.95 - 11.7	950 - 1700	10.0
SM-540	11.7 - 12.2	950 - 1450	10.75
SM-560	12.2 - 12.7	950 - 1450	11.25
SM-570	12.25 - 12.75	950 - 1450	11.3

Specifications

Parameter	Specification
Noise figure (@ +25°C)	1.0 dB max.
Input VSWR	2.5 : 1 max.
Image rejection	45 dBc min.
Conversion gain	60 dB typ.
Output VSWR	2.5 : 1 max.
Gain flatness	4 dBp-p max.
Gain ripple (@ per channel)	+/- 0.75dB max.
1dB gain compression point	+3 dBm min.
Output impedance	75 ohms
Leakage (@input port)	-45 dBm max.
L.O stability (over temp.)	+/- 10, 25KHz max.
Phase noise	-65 dBc/Hz (@1KHz) -80 dBc/Hz (@10KHz) -95 dBc/Hz (@100KHz)
Power supply	+12 to +24V DC
Required current	300 mA max.
Operating temperature	-40°C to +60°C
Storage temperature	-40°C to +80°C
Relative humidity	0% to 95% RH
Input waveguide flange	WR- 75
IF output connector	F-Type female
Weight	350 g



A-Telecom Co., Ltd.
 22-4, Palyong-Dong, Changwon, Kyungnam, Korea 641-847
 Tel : 82-55-299-8550, Fax : 82-55-299-8552
<http://www.a-tele.com>, E-Mail : a-tele@a-tele.com