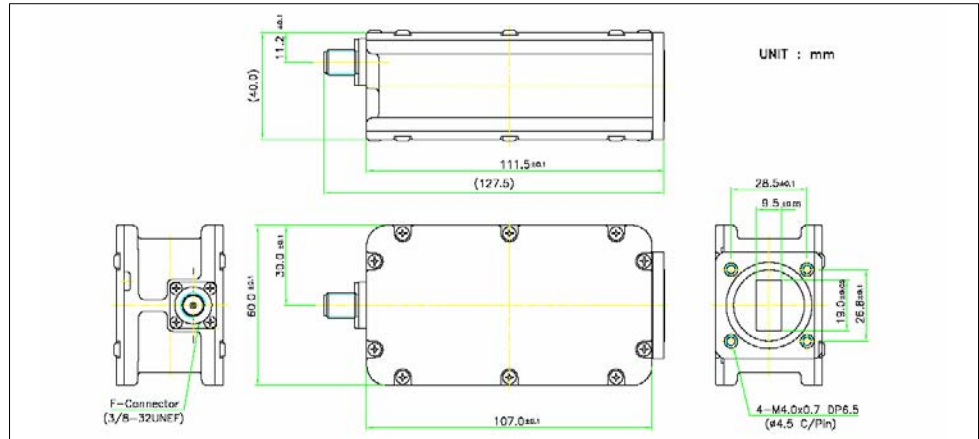


Ku-Band Ext. Ref. PLL LNB Applications

SM-500X Series

Outline Drawing



Model No & Frequency

Model No	Input Freq.(GHz)	Output Freq.(MHz)	L.O Freq.(GHz)
SM-520X	10.95 - 11.7	950 - 1700	10.0
SM-540X	11.7 - 12.2	950 - 1450	10.75
SM-560X	12.2 - 12.7	950 - 1450	11.25
SM-570X	12.25 - 12.75	950 - 1450	11.3

Specifications

Parameter	Specification
Noise figure (@+25°C)	1.0 dB max.
Input VSWR	2.5 : 1 max.
Image rejection	45 dBc min.
Conversion gain	60 dB typ.
Output VSWR	2.5 : 1 max.
Gain flatness	4 dBp-p max.
Gain ripple (@per channel)	+/- 0.75 dB max.
1dB gain compression point	3 dBm min.
Output impedance	75, 50 ohms
Leakage (@ input port)	-45 dBm max.
L.O stability (over temp.)	Phase locked external reference
Phase noise	External Reference dependent
Ext. ref. input frequency	10 MHz
Ext. ref. input power	-10 to 0 dBm
Ext. ref. input port	IF output connector
Power supply	+12 to +24V DC
Required current	300 mA max.
Operating temperature	-40°C to +60°C
Storage temperature	-40°C to +80°C
relative humidity	0% to 95% RH
Input waveguide flange	WR- 75
IF output connector	F-Type female, N-Type female
Weight	400 g



A-Telecom Co., Ltd.
 22-4, Palyong-Dong, Changwon, Kyungnam, Korea 641-847
 Tel : 82-55-299-8550, Fax : 82-55-299-8552
 http://www.a-tele.com, E-Mail : a-tele@a-tele.com