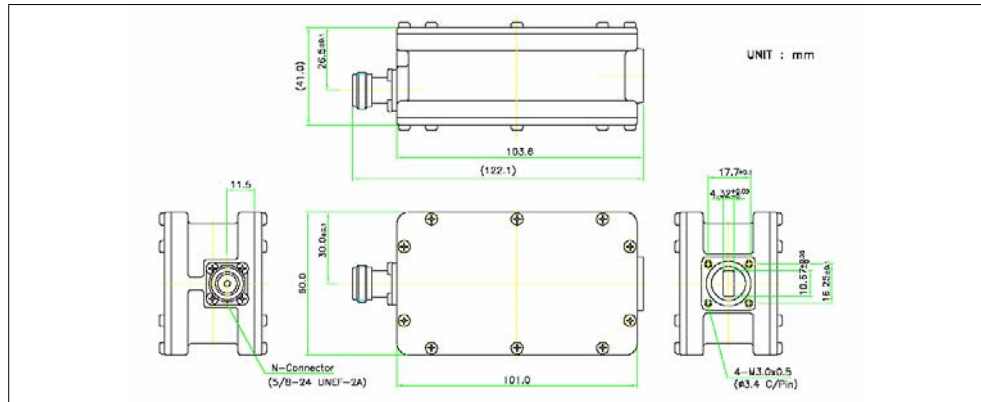


# Ka-Band PLL LNB Applications

## SM-900 Series

### Outline Drawing



### Model No & Frequency

Model No	Input Freq.(GHz)	Output Freq.(MHz)	L.O Freq.(GHz)
SM-900A	18.2 – 19.2	950 – 1950	17.25
SM-900B	19.2 – 20.2	950 – 1950	18.25
SM-900C	20.2 – 21.2	950 – 1950	19.25
SM-900D	21.2 – 22.2	950 – 1950	20.25

### Specifications

Parameter	Specification
Noise figure (@ +23°C)	1.5 dB max.
Input VSWR	2.2 : 1 max.
Image rejection	45 dBc min.
Conversion gain	55 dB typ. (50dB min. 62dB max.)
Output VSWR	2.2 : 1 max.
Gain flatness	5 dBp-p max.
Gain ripple (@ per 27MHz)	1 dBp-p max.
1dB gain compression point	+7 dBm min.
Output impedance	75 ohms, 50 ohms
Leakage (@input port)	-45 dBm max.
L.O stability (over temp.)	+/-70KHz max.
Phase noise	-60 dBc/Hz (@1 KHz) -80 dBc/Hz (@10 KHz) -95 dBc/Hz (@100 KHz)
Power supply	+12 to +24V DC
Required current	300 mA max.
Operating temperature	-30°C to +60°C
Storage temperature	-40°C to +80°C
Relative humidity	0% to 95% RH
Input waveguide flange	WR- 42
IF output connector	F-Type female, N-type female
Weight	350 g



A-Telecom Co., Ltd.  
 22-4, Palyong-Dong, Changwon, Kyungnam, Korea 641-847  
 Tel : 82-55-299-8550, Fax : 82-55-299-8552  
<http://www.a-tele.com>, E-Mail : a-tele@a-tele.com