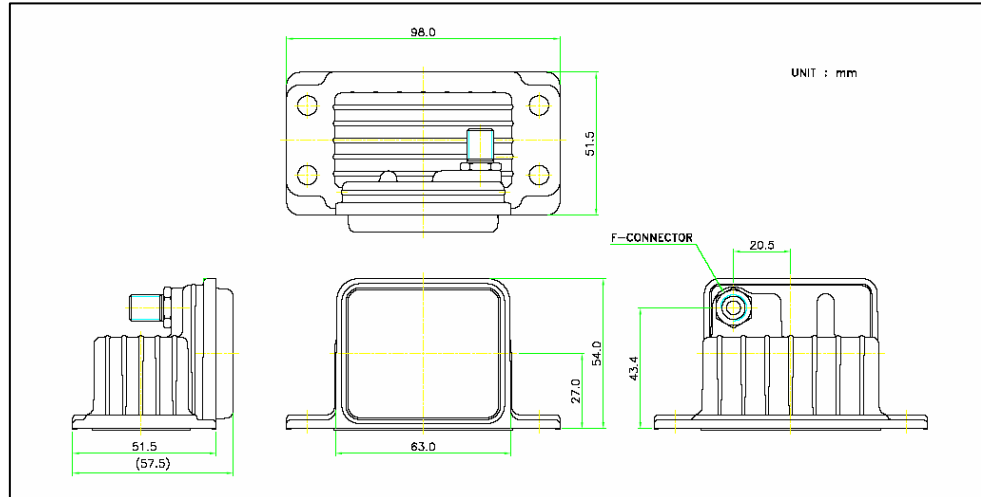


C-Band Single LNB Applications

SPL-1700

Outline Drawing



Model No & Frequency, Stability

Model No	Input Freq.(GHz)	Output Freq.(MHz)	L.O & Stab.(Over Temp.)
SPL-1700	3.7 – 4.2	950 – 1450	5.15 GHz +/- 2 MHz

Specifications

Parameter	Specification
Noise Temperature (@ +25°C)	20'K max.
Input VSWR	2.5 : 1 typ.
Image rejection	40 dB min.
Conversion gain	65 dB typ.(60 dB min. 70dB max.)
Output VSWR	2 : 1 typ.
Gain flatness	4 dBp-p max.
Gain ripple (@ per channel)	+/- 0.75 dB max.
1dB gain compression point	0 dBm min.
Output impedance	75 ohms
Leakage (@ Input port)	-45 dBm max.
Phase noise	-65 dBc/Hz (@1 KHz) -80 dBc/Hz (@10 KHz) -95 dBc/Hz (@100 KHz)
Power supply	+12 to +24V DC
Required current	150 mA max.
Operating temperature	-30°C to +60°C
Storage temperature	-40°C to +80°C
Relative humidity	0% to 95% RH
Input waveguide flange	WR- 229
IF output connector	F-Type female
Weight	158 g



A-Telecom Co., Ltd.
 22-4, Palyong-Dong, Changwon, Kyungnam, Korea 641-847
 Tel : 82-55-299-8550, Fax : 82-55-299-8552
 http://www.a-tele.com, E-Mail : a-tele@a-tele.com